

**T e r r e b o n n e P a r i s h C o n s o l i d a t e d
G o v e r n m e n t**

**H o u m a C i v i c C e n t e r C h i l l e r
R e p l a c e m e n t**

A d d e n d u m # 1



Purpose: *Addendum #1*

Subject: *TPCG Hurricane Ida Recovery*

Today's Date: *9/21/22*

Addendum #1	This Addendum forms part of the Bid Documents and modifies and clarifies the original Bidding/Proposal Documents for the project as noted below. Acknowledge receipt of this Addendum in the space provided on the Proposal Form. Failure to do so may subject the Bidder to disqualification. Bidder is responsible to disseminate this Addendum to all subcontractors concerned.
Specification & Contract Document Revisions	<ol style="list-style-type: none">1. General: CLARIFICATION: Bid Date and Time is postponed. Bids are due on or prior to 3:00 p.m. on Wednesday, September 28, 2022.2. Construction Drawings. Remove Sheet M3.0 of the Original Construction Drawings and REPLACE with Revised Sheet M3.0 in Attachment A3. Louisiana Uniform Public Work Bid Form: Remove Original Louisiana Uniform Public Work Bid Form (4 pages) and REPLACE with Revised Louisiana Unit Public Work Bid Form Addendum 1 (4 pages) in ATTACHMENT B
Clarifications	<ul style="list-style-type: none">• Attachment A and B has been included in the Bid Documents
Questions	N/A

**T e r r e b o n n e P a r i s h C o n s o l i d a t e d
G o v e r n m e n t**

**H o u m a C i v i c C e n t e r C h i l l e r
R e p l a c e m e n t**

A d d e n d u m # 1

ATTACHMENT A

SPLIT DIRECT EXPANSION AIR HANDLING UNIT SCHEDULE																			
AIR HANDLING UNIT DATA			COOLING CAPACITY						SUPPLY FAN				HEATING CAPACITY						
UNIT NO.	SERVING	MODEL NO.	SUPPLY AIR CFM	OUTSIDE AIR CFM	TOTAL MBH CAPACITY	SENS MBH CAPACITY	ENT (*F)		LAT (*F)		EXTERNAL STATIC PRESS. (IN W.G.)	ELECTRICAL DATA VOLTS/Ø/HZ	TOTAL MBH CAPACITY	ENT. AIR	WATER TEMP (*F)		GPM	REMARKS	PAIRED WITH
							DB	WB	DB	WB					IN	OUT			
AHU-3	MAINTENANCE/RESTROOMS	CARRIER 39M0601VFCA-D	3000	270	48,600	34,749	80.0	67.0	55.0	54.6	1.0	480/3/60	127,620	70° F	160	134	26.5	① ②	CU-3A AND CU-3B

- ① PROVIDE AIR HANDLING UNIT WITH DUCT DETECTOR, UNIT SHALL SHUT DOWN ON DETECTION OF SMOKE. PROVIDE REMOTE RESET OF DETECTOR.
- ② ACCEPTABL MANUFACTURERS TRANE, DAIKIN, AND YORK

SPLIT DX CONDENSING UNIT SCHEDULE									
CONDENSING UNIT									
UNIT NO.	MODEL NO.	MCA	MAX FUSE	ELECTRIC DATA			RATED COOLING MBH CAPACITY	REMARKS	PAIRED WITH
				VOLTS	Ø	HZ			
CU-3A CU-3B	CARRIER 24AHA448	8.5	15	480	3	60	48,000 EACH	①	AHU-3

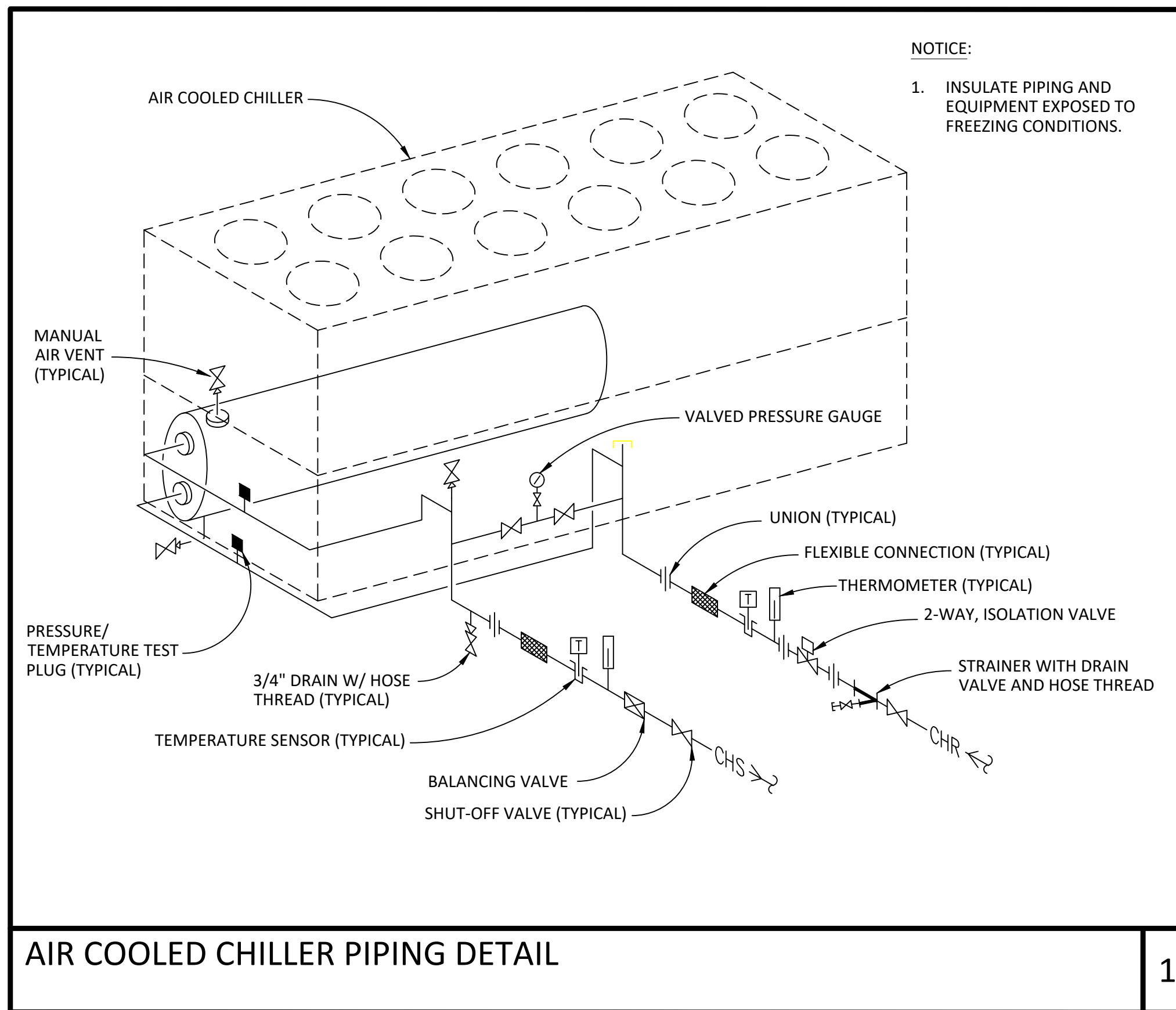
- ① ACCEPTABLE MODELS TRANE, DAIKIN, YORK

AIR-COOLED CHILLER SCHEDULE																					
A = PROVIDE WITH INTEGRAL VFD																					
IDENT.	MAKE / MODEL	TYPE	REFRIGERANT	MIN. ACTUAL TONS	MIN. IPLV	EVAPORATOR				CONDENSER		COMPRESSOR			FAN			ELECTRICAL			REMARKS
						EWI	LWT	GPM	WATER PD	CFM	EAT	QTY	RLA (EA)	V/PH/HZ	QTY	FLA (EA)	V/PH/HZ	MCA	MOP	V/PH/HZ	
CH-01 CH-02 CH-03	CARRIER 30XV140S APPROVED EQUAL TRANE, YORK, AND DAIKIN	AIR COOLED SCREW	R-134A	130.0	19.2	50.2	42.0	380	23.1 FT WG	86,400	105.0	-	-	460/3/60	-	-	460/3/60	261.0	350	460/60/3	A

CHILLER WEIGHTED SOUND POWER LEVELS									
OCTAVE BAND CENTER FREQUENCY, HZ	63	125	250	500	1K	2K	4K	8K	OVERALL
100% LOAD	63	76	81	91	91	89	84	74	96
75% LOAD	61	74	79	88	86	83	76	71	91
50% LOAD	58	68	78	81	80	77	68	68	86
25% LOAD	54	64	75	78	77	73	65	64	82

CHILLER WEIGHTED SOUND PRESSURE LEVELS									
OCTAVE BAND CENTER FREQUENCY, HZ	63	125	250	500	1K	2K	4K	8K	OVERALL
100% LOAD	34	48	52	63	62	60	56	46	67
75% LOAD	32	45	50	59	57	54	48	42	62
50% LOAD	29	39	50	52	52	48	40	39	57
25% LOAD	25	35	46	49	48	44	36	36	53

PUMP SCHEDULE											
ITEM	SERVICE	IMPELLER (DIA.-IN.)	FLOW (GPM)	HEAD (FT)	SUCTION/ DISCHARGE	EFF.	MOTOR			FRAME	MANUFACTURER MODEL NUMBER
							HP (EACH)	V/PH/HZ	RPM		
CHP-1 CHP-2	CHILLED WATER PUMP	12.80	1152	130	6X6	82%	60	460/3/60	1760	416T	TACO SKS6013D-1760-60



NOTICE:

- INSULATE PIPING AND EQUIPMENT EXPOSED TO FREEZING CONDITIONS.

SEQUENCE OF OPERATIONS

CHILLED WATER SYSTEM CONSISTS OF THREE (3) AIR COOLED CHILLERS, WITH ASSOCIATED CHILLED WATER ISOLATION BUTTERFLY VALVE AND TWO CONSTANT VOLUME CHILLED WATER PUMPS IN PARALLEL. NOTE FACILITY REQUIRE 2 CHILLERS AND ONE PUMP UNDER FULL LOAD CONDITIONS. CONTROLS WILL LEAD/ LAG EQUIPMENT ON A WEEKLY RUN TIME OR FAIL OVER CONDITIONS.

CHILLER PLANT ON WHEN THE OUTSIDE AIR TEMPERATURE IS ABOVE 60 DEGREES OR THE FACILITY HAS A SCHEDULED EVENT THE DDC CONTROL SYSTEM WILL OPEN ISOLATIONS VALVES ON TWO OF THE CHILLERS AND COMMAND ON ONE CHILLED WATER PUMP. ONCE PUMP STATUS IS PROVEN THE DDC CONTROLS THROUGH BACNET INTEGRATION WITH CHILLER SHALL ENABLE CHILLER TO RUN. CHILLER WILL CYCLE AND CONTROL LEAVING WATER TEMP VIA ITS INTERNAL CONTROLS TO MAINTAIN LEAVING WATER SET POINT AS DETERMINED BY THE DDC CONTROLS SYSTEM AND FACILITY LOAD.

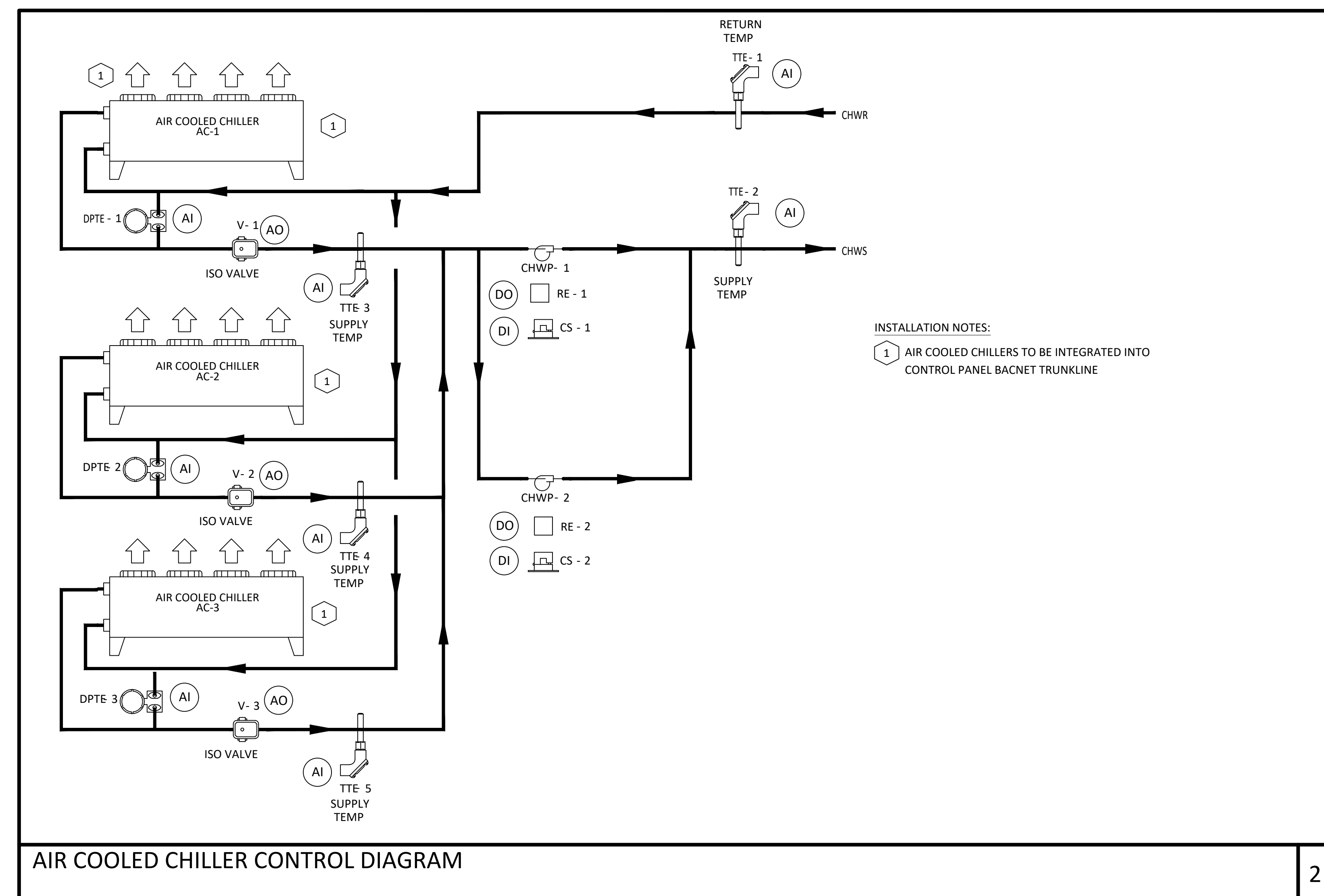
DDC SYSTEM MONITORS RUNNING PERFORMANCE AND WILL AUTOMATICALLY SWITCH TO A LAG CHILLER OR PUMP AS NEEDED.

CHILLER PLANT OFF WHEN THE SYSTEM IS DISABLED, THE CHILLERS SHALL BE DISABLED, AND THE LEAD CHILLED WATER PUMP SHALL CONTINUE TO RUN FOR A PERIOD OF 10 MINUTES AFTER THE CHILLER IS DISABLED. AFTER 10 MINUTES AND PUMP IS TURNED OFF THE CHILLER ISOLATION VALVES WILL CLOSE. IF THE LEAD CHILLED WATER PUMP FAILS, AS SENSED BY THE CURRENT SWITCH ON THE MOTOR STARTER, THE CHILLERS SHALL BE DISABLED, AND AN ALARM WILL BE REPORTED TO THE SYSTEM COMPUTER.

FREEZE PROTECTION IF OUTSIDE AIR IS BELOW 32 DEG F ALL CHILLER ISOLATION VALVES ARE OPEN, AND PUMPS COMMANDED ON TILL OUTSIDE AIR TEMP IS ABOVE 36 DEG F (ALL SET POINTS ARE ADJUSTABLE THROUGH THE DDC SYSTEM).

DDC SYSTEM SHALL INTEGRATE TO CHILLERS WITH BACNET COMMUNICATIONS

CHILLER DP
CHILLER ISOLATION VALVES
PUMPS START STOP STATUS
CHILLER SUPPLY TEMPERATURE
CHILLER RETURN TEMPERATURE
CW SYSTEM SUPPLY AND RETURN TEMP



INSTALLATION NOTES:

- AIR COOLED CHILLERS TO BE INTEGRATED INTO CONTROL PANEL BACNET TRUNKLINE

NO.	REVISION #1 DESCRIPTION	DATE
1		2022.09.20

HOUMA TERREBONNE CIVIC CENTER CHILLER REPLACEMENT
 346 CIVIC CENTER BLVD. HOUMA, LA 70360

MECHANICAL SCHEDULES & DETAILS



Mechanical • Electrical • Plumbing
 3701 Hessemer Ave. • Metairie, LA 70002
 ph.504.264.5111 fax.504.264.5115
 www.ykhconsulting.com

DRAWN BY: TM
 DESIGNED BY: TM
 CHECKED BY: DK
 Q.A.Q.C. BY: GY

JOB NO.: 2206701
 PHASE: CD
 DATE: 10 AUGUST 2022

M3.0

**T e r r e b o n n e P a r i s h C o n s o l i d a t e d
G o v e r n m e n t**

**H o u m a C i v i c C e n t e r C h i l l e r
R e p l a c e m e n t**

A d d e n d u m # 1

ATTACHMENT B

LOUISIANA UNIFORM PUBLIC WORK BID FORM

**TO: Terrebonne Parish
Consolidated Government
8026 Main Street, 7th Floor
Houma, Louisiana 70360**

**BID FOR: Terrebonne Parish Consolidated Government – Houma
Civic Center – Chiller Replacement - Addendum 1**

The undersigned bidder hereby declares and represents that she/he: a) has carefully examined and understands the Bidding Documents, b) has not received, relied on, or based his bid on any verbal instructions contrary to the Bidding Documents or any addenda, c) has personally inspected and is familiar with the project site, and hereby proposes to provide all labor, materials, tools, appliances and facilities as required to perform, in a workmanlike manner, all work and services for the construction and completion of the referenced project, all in strict accordance with the Bidding Documents prepared by: Royal Engineers & Consultants, L.L.C., 4298 Elysian Fields Ave. Suite B., New Orleans, LA 70122 (504) 283-9400 and dated: September, 2021.

Bidders must acknowledge all addenda. The Bidder acknowledges receipt of the following **ADDENDA:** (Enter the number the Designer has assigned to each of the addenda that the Bidder is acknowledging) _____

TOTAL BASE BID: For all work required by the Bidding Documents (including any and all unit prices designated “Base Bid” * but not alternates) the sum of:
_____ Dollars (\$ _____)

ALTERNATES: For any and all work required by the Bidding Documents for Alternates including any and all unit prices designated as alternates in the unit price description.

Alternate No. 1 (NA) for the additional sum of:
_____ Dollars (\$ _____)

Alternate No. 2 (NA) for the additional sum of:
_____ Dollars (\$ _____ N/A _____)

Alternate No. 3 (Owner to provide description of alternate and state whether add or deduct) for the lump sum of:
N/A _____ Dollars (\$ _____ N/A _____)

NAME OF BIDDER: _____

ADDRESS OF BIDDER: _____

LOUISIANA CONTRACTOR’S LICENSE NUMBER: _____

NAME OF AUTHORIZED SIGNATORY OF BIDDER: _____

TITLE OF AUTHORIZED SIGNATORY OF BIDDER: _____

SIGNATURE OF AUTHORIZED SIGNATORY OF BIDDER **: _____

DATE: _____

THE FOLLOWING ITEMS ARE TO BE INCLUDED WITH THE SUBMISSION OF THIS LOUISIANA UNIFORM PUBLIC WORK BID FORM:

* The Unit Price Form shall be used if the contract includes unit prices. Otherwise it is not required and need not be included with the form. The number of unit prices that may be included is not limited and additional sheets may be included if needed.

** **A CORPORATE RESOLUTION OR WRITTEN EVIDENCE** of the authority of the person signing the bid for the public work as prescribed by LA R.S. 38:2212(B)(5).

BID SECURITY in the form of a bid bond, certified check or cashier’s check as prescribed by LA R.S. 38:2218(A) attached to and made a part of this bid.

LOUISIANA UNIFORM PUBLIC WORK BID FORM

UNIT PRICE FORM

TO: Terrebonne Parish Consolidated Government

8026 Main Street, 7th Floor
Houma, LA 70360

BID FOR: Terrebonne Parish Consolidated Government
Houma Civic Center – Chiller Replacement -
Addendum 1

UNIT PRICES: This form shall be used for any and all work required by the Bidding Documents and described as unit prices. Amounts shall be stated in figures and only in figures.

DESCRIPTION:	<input checked="" type="checkbox"/> Base Bid or <input type="checkbox"/> Alt.# ___ Remove 4 existing Chillers and associated exterior piping			
REF. NO.	QUANTITY:	UNIT OF MEASURE:	UNIT PRICE	UNIT PRICE EXTENSION (<i>Quantity times Unit Price</i>)
1	1	LS		

DESCRIPTION:	<input checked="" type="checkbox"/> Base Bid or <input type="checkbox"/> Alt.# ___ Remove existing chilled water pumps and piping			
REF. NO.	QUANTITY:	UNIT OF MEASURE:	UNIT PRICE	UNIT PRICE EXTENSION (<i>Quantity times Unit Price</i>)
2	1	LS		

DESCRIPTION:	<input checked="" type="checkbox"/> Base Bid or <input type="checkbox"/> Alt.# ___ Remove existing 2 condensing units in chiller yard			
REF. NO.	QUANTITY:	UNIT OF MEASURE:	UNIT PRICE	UNIT PRICE EXTENSION (<i>Quantity times Unit Price</i>)
3	1	LS		

DESCRIPTION:	<input checked="" type="checkbox"/> Base Bid or <input type="checkbox"/> Alt.# ___ Remove associated air handling unit on mezzanine and all associated piping from condensing units			
REF. NO.	QUANTITY:	UNIT OF MEASURE:	UNIT PRICE	UNIT PRICE EXTENSION (<i>Quantity times Unit Price</i>)
4	1	LS		

DESCRIPTION:	<input checked="" type="checkbox"/> Base Bid or <input type="checkbox"/> Alt.# ___ Provide 3 new chillers and exterior piping			
REF. NO.	QUANTITY:	UNIT OF MEASURE:	UNIT PRICE	UNIT PRICE EXTENSION (<i>Quantity times Unit Price</i>)
5	1	LS		

DESCRIPTION:	<input checked="" type="checkbox"/> Base Bid or <input type="checkbox"/> Alt.# ___ Provide 2 new self-adjusting pumps with VFD			
REF. NO.	QUANTITY:	UNIT OF MEASURE:	UNIT PRICE	UNIT PRICE EXTENSION (<i>Quantity times Unit Price</i>)
6	1	LS		

DESCRIPTION:	<input checked="" type="checkbox"/> Base Bid or <input type="checkbox"/> Alt.# ___ Connect new pumps to existing piping			
REF. NO.	QUANTITY:	UNIT OF MEASURE:	UNIT PRICE	UNIT PRICE EXTENSION (<i>Quantity times Unit Price</i>)
7	1	LS		

DESCRIPTION:	<input checked="" type="checkbox"/> Base Bid or <input type="checkbox"/> Alt.# ___ Provide all new valves and piping devices per plans			
REF. NO.	QUANTITY:	UNIT OF MEASURE:	UNIT PRICE	UNIT PRICE EXTENSION (<i>Quantity times Unit Price</i>)
8	1	LS		

DESCRIPTION:	<input checked="" type="checkbox"/> Base Bid or <input type="checkbox"/> Alt.# _____ Provide new 6" capped and valved connection for a temp connection			
REF. NO.	QUANTITY:	UNIT OF MEASURE:	UNIT PRICE	UNIT PRICE EXTENSION (<i>Quantity times Unit Price</i>)
9	1	LS		

DESCRIPTION:	<input checked="" type="checkbox"/> Base Bid or <input type="checkbox"/> Alt.# _____ Balance flow through system			
REF. NO.	QUANTITY:	UNIT OF MEASURE:	UNIT PRICE	UNIT PRICE EXTENSION (<i>Quantity times Unit Price</i>)
10	1	LS		

DESCRIPTION:	<input checked="" type="checkbox"/> Base Bid or <input type="checkbox"/> Alt.# _____ Provide new air handling unit in previous location and connect to existing ductwork and piping			
REF. NO.	QUANTITY:	UNIT OF MEASURE:	UNIT PRICE	UNIT PRICE EXTENSION (<i>Quantity times Unit Price</i>)
11	1	LS		

DESCRIPTION:	<input checked="" type="checkbox"/> Base Bid or <input type="checkbox"/> Alt.# _____ Provide new condensing units at previous location			
REF. NO.	QUANTITY:	UNIT OF MEASURE:	UNIT PRICE	UNIT PRICE EXTENSION (<i>Quantity times Unit Price</i>)
12	1	LS		

DESCRIPTION:	<input checked="" type="checkbox"/> Base Bid or <input type="checkbox"/> Alt.# _____ Provide new refrigerant piping from condensing units to air handler on mezzanine per manufacturers recommendations			
REF. NO.	QUANTITY:	UNIT OF MEASURE:	UNIT PRICE	UNIT PRICE EXTENSION (<i>Quantity times Unit Price</i>)
13	1	LS		

DESCRIPTION:	<input checked="" type="checkbox"/> Base Bid or <input type="checkbox"/> Alt.# _____ Provide air Balance of system			
REF. NO.	QUANTITY:	UNIT OF MEASURE:	UNIT PRICE	UNIT PRICE EXTENSION (<i>Quantity times Unit Price</i>)
14	1	LS		

DESCRIPTION:	<input checked="" type="checkbox"/> Base Bid or <input type="checkbox"/> Alt.# _____ Connect to existing ductwork and piping			
REF. NO.	QUANTITY:	UNIT OF MEASURE:	UNIT PRICE	UNIT PRICE EXTENSION (<i>Quantity times Unit Price</i>)
15	1	LS		

DESCRIPTION:	<input checked="" type="checkbox"/> Base Bid or <input type="checkbox"/> Alt.# _____ Demolish existing feeders and disconnect switch serving demolished chiller			
REF. NO.	QUANTITY:	UNIT OF MEASURE:	UNIT PRICE	UNIT PRICE EXTENSION (<i>Quantity times Unit Price</i>)
16	1	LS		

DESCRIPTION:	<input checked="" type="checkbox"/> Base Bid or <input type="checkbox"/> Alt.# _____ Maintain existing HVAC disconnect switches and replace fuses			
REF. NO.	QUANTITY:	UNIT OF MEASURE:	UNIT PRICE	UNIT PRICE EXTENSION (<i>Quantity times Unit Price</i>)
17	1	LS		

DESCRIPTION:	<input checked="" type="checkbox"/> Base Bid or <input type="checkbox"/> Alt.# _____ Disconnect electrical feeds to chillers (3) to be replaced and reconnect to new units			
REF. NO.	QUANTITY:	UNIT OF MEASURE:	UNIT PRICE	UNIT PRICE EXTENSION (<i>Quantity times Unit Price</i>)
18	1	LS		

DESCRIPTION:	<input checked="" type="checkbox"/> Base Bid or <input type="checkbox"/> Alt.# _____ Disconnect electrical feeds to condensing units CU-3A and CU-3B and reconnect to new units			
REF. NO.	QUANTITY:	UNIT OF MEASURE:	UNIT PRICE	UNIT PRICE EXTENSION (<i>Quantity times Unit Price</i>)
19	1	LS		

DESCRIPTION:	<input checked="" type="checkbox"/> Base Bid or <input type="checkbox"/> Alt.# _____ Disconnect electrical feed to AHU-3 to be replaced and reconnect to new unit			
REF. NO.	QUANTITY:	UNIT OF MEASURE:	UNIT PRICE	UNIT PRICE EXTENSION (<i>Quantity times Unit Price</i>)
20	1	LS		

DESCRIPTION:	<input checked="" type="checkbox"/> Base Bid or <input type="checkbox"/> Alt.# _____ Provide new 120V circuit in maintenance room for HVAC controls			
REF. NO.	QUANTITY:	UNIT OF MEASURE:	UNIT PRICE	UNIT PRICE EXTENSION (<i>Quantity times Unit Price</i>)
21	1	LS		

DESCRIPTION:	<input checked="" type="checkbox"/> Base Bid or <input type="checkbox"/> Alt.# _____ Intercept existing pump feeds for CP-1A and CP-1B and connect to new VFD's. Reconnect new pumps			
REF. NO.	QUANTITY:	UNIT OF MEASURE:	UNIT PRICE	UNIT PRICE EXTENSION (<i>Quantity times Unit Price</i>)
22	1	LS		

Wording for "DESCRIPTION" is to be provided by the Owner.

All quantities are estimated. The contractor will be paid based upon actual quantities as verified by the Owner.